

AXOR ShowerSolutions

Overhead shower 460/300 1jet with shower arm and square escutcheon

Surfaces: **Chrome** Article Number: **35278000**



Description

product features

- shower head size: 460 x 270 mm
- shower arm length: 460 mm
- spray type: Rain
- maximum flow rate at 0.3 MPa: 19 l/min
- flow rate Rain spray (at 0.3 MPa): 19 l/min
- material spray disc: metal
- spray disc removable for cleaning
- overhead shower for cleaning removable
- installation: wall
- connection thread G ½
- connection dimension: DN15

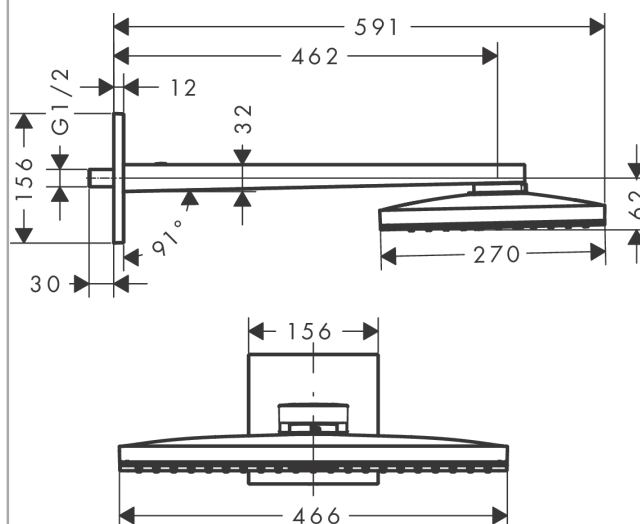
Technology



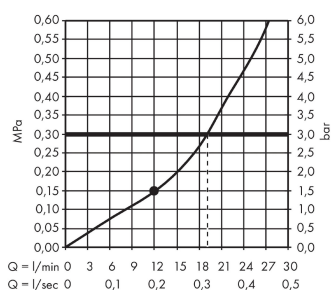
Product image



Scale drawing



Flowchart



The consumption was measured in combination with the appropriate fittings (thermostat/mixer/ in-wall valve) to reflect actual application in practice.